

## High Voltage Tolerance Capacitors

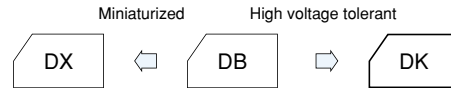
GREEN CAP

70°C

- High voltage tolerant(6.3V guaranteed) and highly reliable.
- Ideal for backing up of Li-battery-backed equipment such as cameras, VCR's and telephone sets.



Marking color : White print on an indigo sleeve

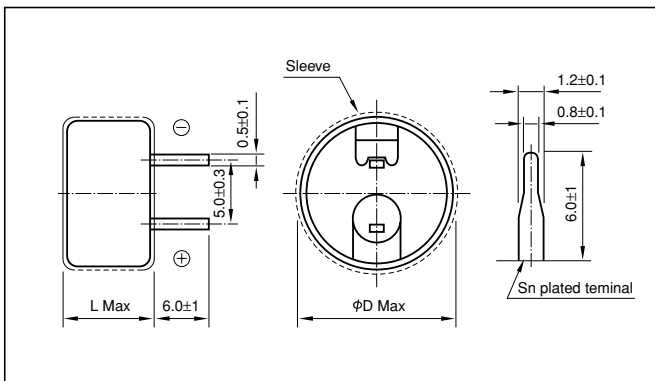


### Specifications

Item	Performance					
Category temperature range (°C)	-25 to +70					
Tolerance at rated capacitance (%)	-20 to +80					
Internal resistance at 1 kHz	Rated Capacitance (F)	0.047	0.1	0.47	0.68	1.0
	Internal resistance (Ω)	300	200	50	50	30
Characteristics at high and low temperature	Percentage of capacitance change	Within ±30% of the value at 20°C				
	Internal resistance	less than five times of the value at 20°C				
Endurance (70°C)	Test time	1000 hours				
	Percentage of capacitance change	Within ±30% of the initial measured value				
	Internal resistance	Within four times of the initial specified value				
Shelf life (70°C)	Test time :1000 hours : Same as endurance.					

### Outline Drawing

Unit: mm



### Part numbering system (example: 6.3V0.1F)

DK	—	6R3	D	104	T
Series code		Rated voltage symbol		Rated capacitance symbol	

Part number is refer to below table.

### Standard Ratings

Max. operating voltage(V)	Rated capacitance(F)	ELNA Parts No.	φ DxL(mm)
6.3	0.047	DK-6R3D473T	13.5x9.5
6.3	0.1	DK-6R3D104T	13.5x9.5
6.3	0.47	DK-6R3D474T	21.5x9.5
6.3	0.68	DK-6R3D684T	21.5x9.5
6.3	1.0	DK-6R3D105T	21.5x9.5